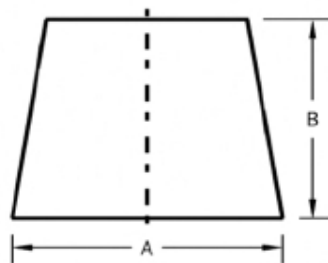
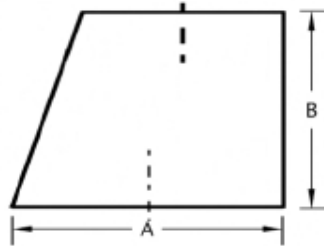




Cone Reducer (B16.9)



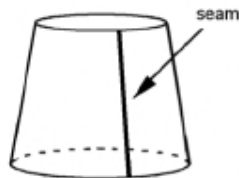
Concentric Reducer



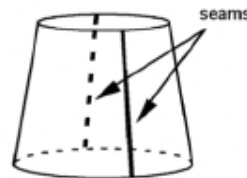
Eccentric Reducer

Size (A)	Length (B)
3	3 1/2
4	4
5	5
6	5 1/2
8	6
10	7
12	8
14	13
16	14
18	15
20	20
24	20
30	24
36	24

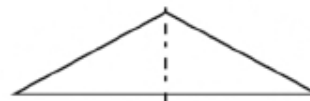
ANSI B16.9 dimensions shown above.
Other lengths available upon request.



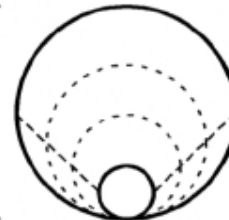
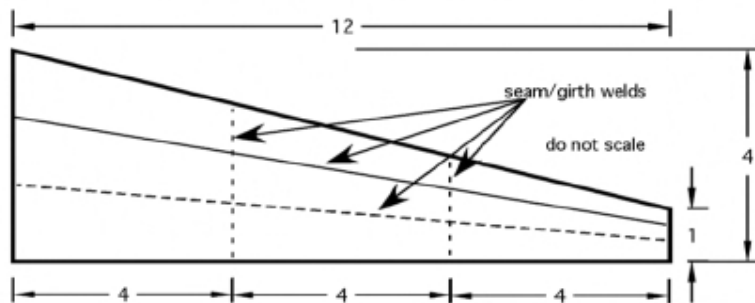
Single-seam construction
(typical)

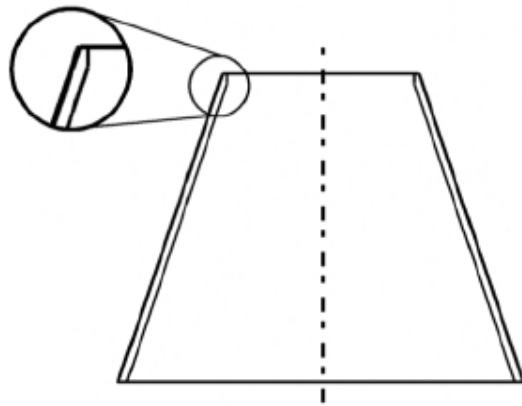


Two-seam construction
(atypical)

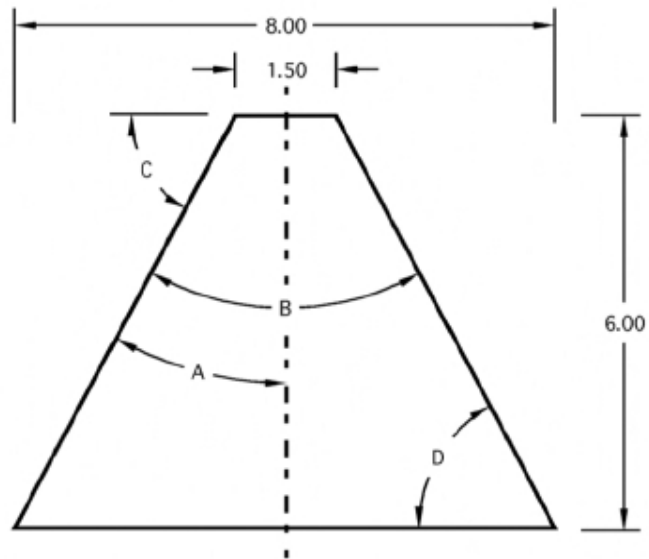


Chinese cap, a.k.a. 8x0 conc reducer



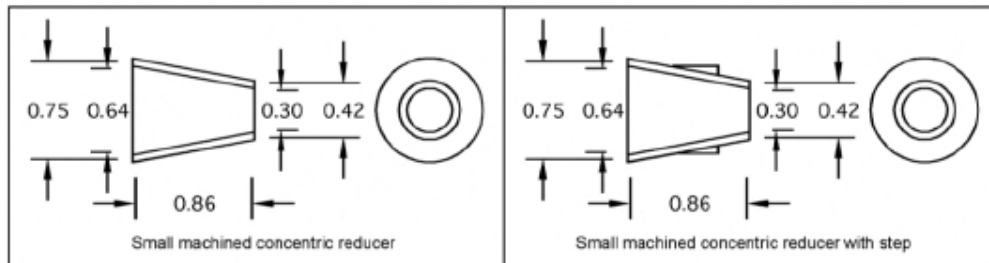


Tapered wall 12GA x 16GA



Building a reducer based on a specific slope angle...

- A = Degrees of slope off of CenterLine
- B = Degrees of slope per inclusive angle
- C = Degrees of slope from Perpendicular to CL
- D = Angle C



- Manufactured to the specs and tolerances of ASTM A774.
- Length listed conforms to ANSI B16.9 specifications.
- Custom dimensions available upon request.
- Two-seam construction may be required on some unusual configurations.
- Available in 304L, 316L, 317L, or other materials upon request.
- Available ends include butt-weld or beveled.