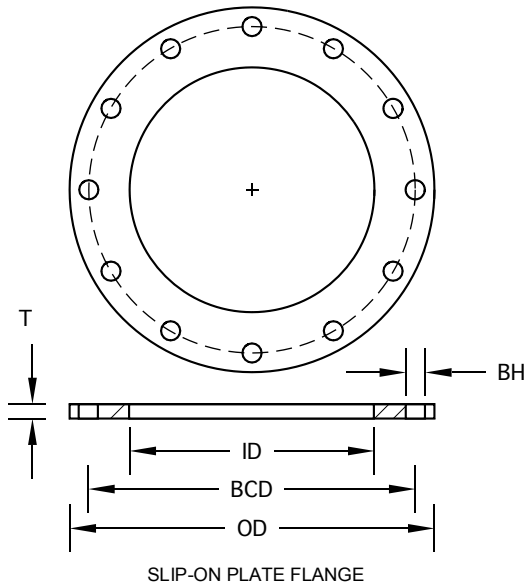
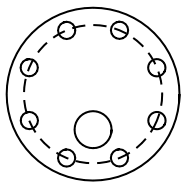


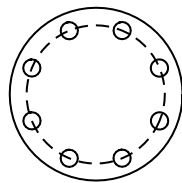
# Plate Flanges



PIPE SIZE	OD	ID	T	No of BH	BH	BCD
2	6	2-7/16	1/2	4	3/4	4-3/4
2-1/2	7	2-15/16	1/2	4	3/4	5-1/2
3	7-1/2	3-9/16	1/2	4	3/4	6
3-1/2	8-1/2	4-1/16	1/2	8	3/4	7
4	9	4-9/16	1/2	8	3/4	7-1/2
5	10	5-5/8	1/2	8	7/8	8-1/2
6	11	6-11/16	1/2	8	7/8	9-1/2
8	13-1/2	8-11/16	1/2	8	7/8	11-3/4
10	16	10-13/16	1/2	12	1	14-1/4
12	19	12-13/16	1/2	12	1	17



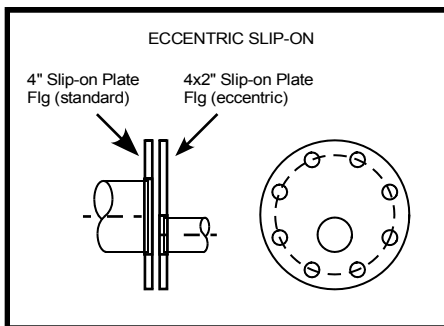
Eccentric Slip-on



Blind Flange

Available options:  
 Blind flanges  
 Metric (DIN) bolt patterns  
 Reducing slip-on flange  
 Eccentric slip-on flange  
 Facing one side for gasket seal  
 Backup flanges have a 1/4" 45° land on face  
 Variety of thicknesses down to 1/4" thk

TUBE SIZE	OD	ID	T	No of BH	BH	BCD
2	6	2-1/16	1/2	4	3/4	4-3/4
2-1/2	7	2-9/16	1/2	4	3/4	5-1/2
3	7-1/2	3-1/16	1/2	4	3/4	6
3-1/2	8-1/2	3-9/16	1/2	8	3/4	7
4	9	4-1/16	1/2	8	3/4	7-1/2
5	10	5-1/16	1/2	8	7/8	8-1/2
6	11	6-1/16	1/2	8	7/8	9-1/2
8	13-1/2	8-1/16	1/2	8	7/8	11-3/4
10	16	10-1/16	1/2	12	1	14-1/4
12	19	12-1/16	1/2	12	1	17
14	19	14-1/16	1/2	12	1	17
16	19	16-1/16	1/2	12	1	17
18	19	18-1/16	1/2	12	1	17
20	19	20-1/16	1/2	12	1	17
24	19	24-3/32	1/2	12	1	17
30	19	30-3/32	1/2	12	1	17
36	19	36-3/32	1/2	12	1	17



- Manufactured from ASTM A240 stainless steel plate.
- Alloys available include 304L, 316L, 317L, carbon steel; others upon request.
- Slip-on plate flange typically welds directly to pipe/tube.