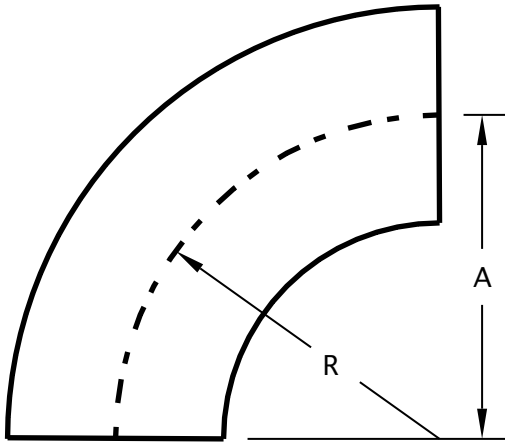
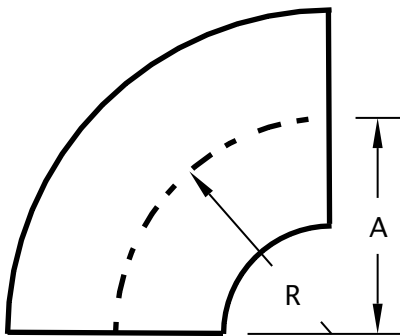


Smoothflow Elbows



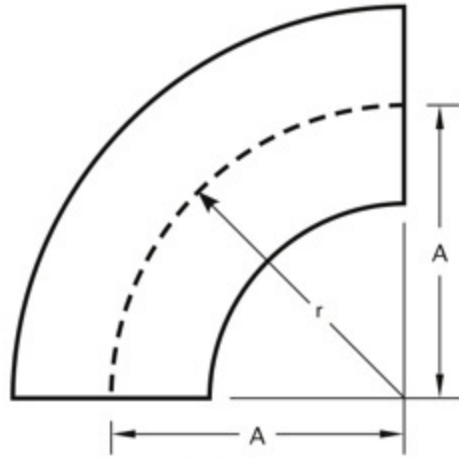
Long Radius 90 elbow (LR90)

SIZE	A	R (radius)
1-1/2	2.25	2.25
2	3	3
2-1/2	3.75	3.75
3	4.50	4.50
3-1/2	5.25	5.25
4	6	6
5	7.50	7.50
6	9	9
8	12	12
10	15	15
12	18	18
14	21	21
16	24	24
18	27	27
20	30	30
24	36	36

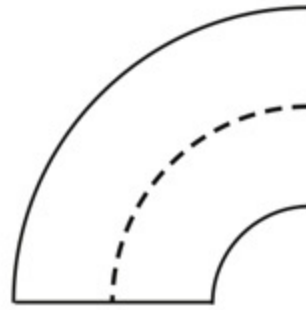


Short Radius 90 elbow (SR90)

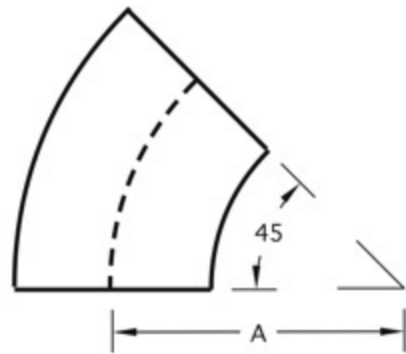
SIZE	A	R (radius)
1-1/2	1.50	1.50
2	2	2
2-1/2	2.50	2.50
3	3	3
4	4	4
5	5	5
6	6	6
8	8	8
10	10	10
12	12	12



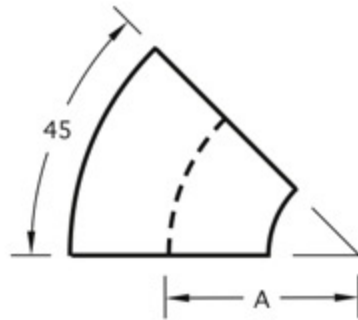
Long Radius (LR) 90



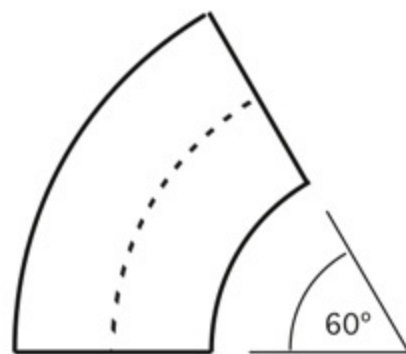
Short Radius (SR) 90



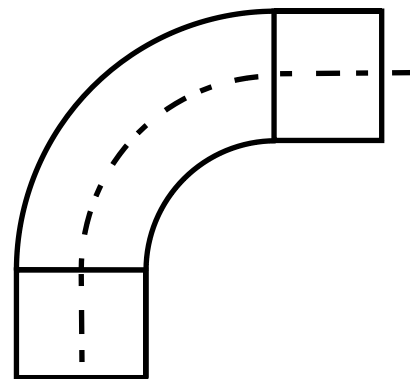
Long Radius (LR) 45



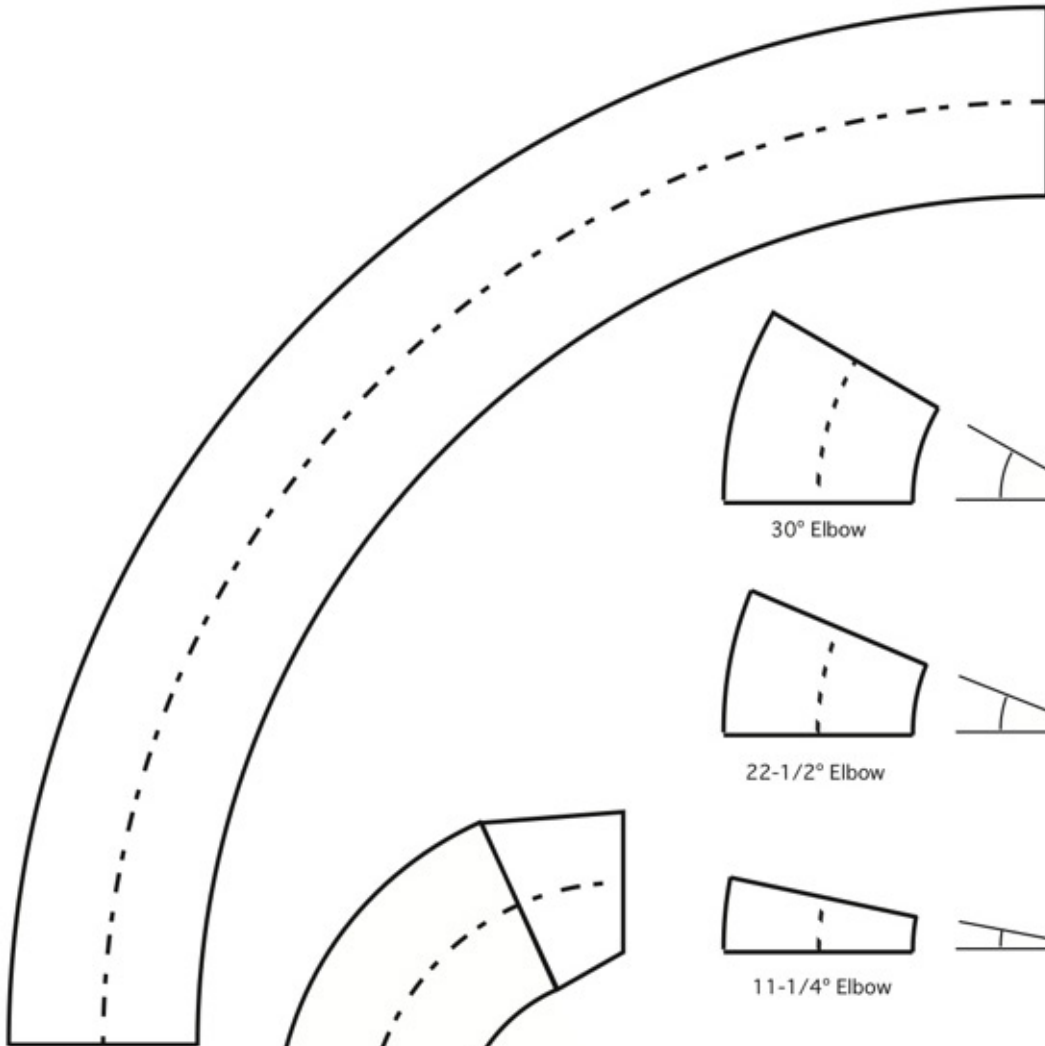
Short Radius (SR) 45



Long Radius 60°

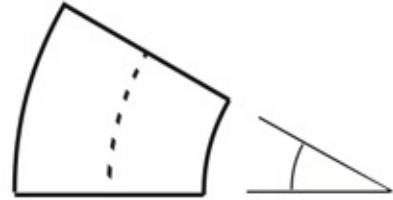


Long Radius, Long Tangent 90



5D Sweep 90

Cutback Transition style Reducing 90



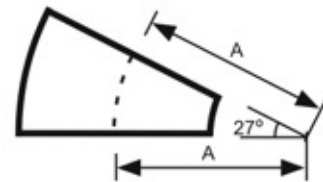
30° Elbow



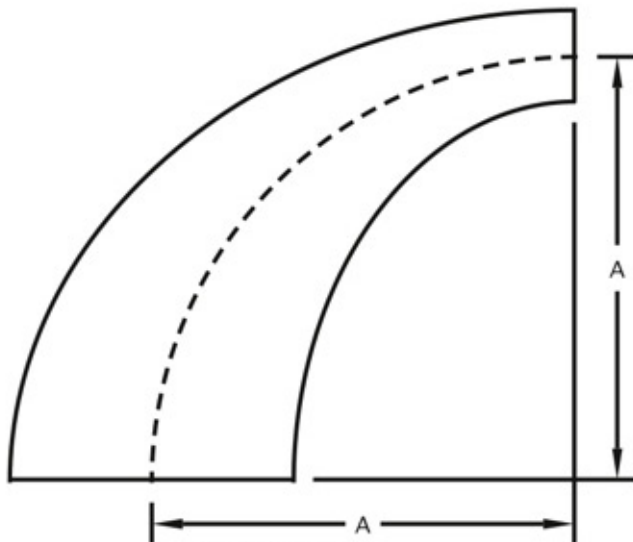
22-1/2° Elbow



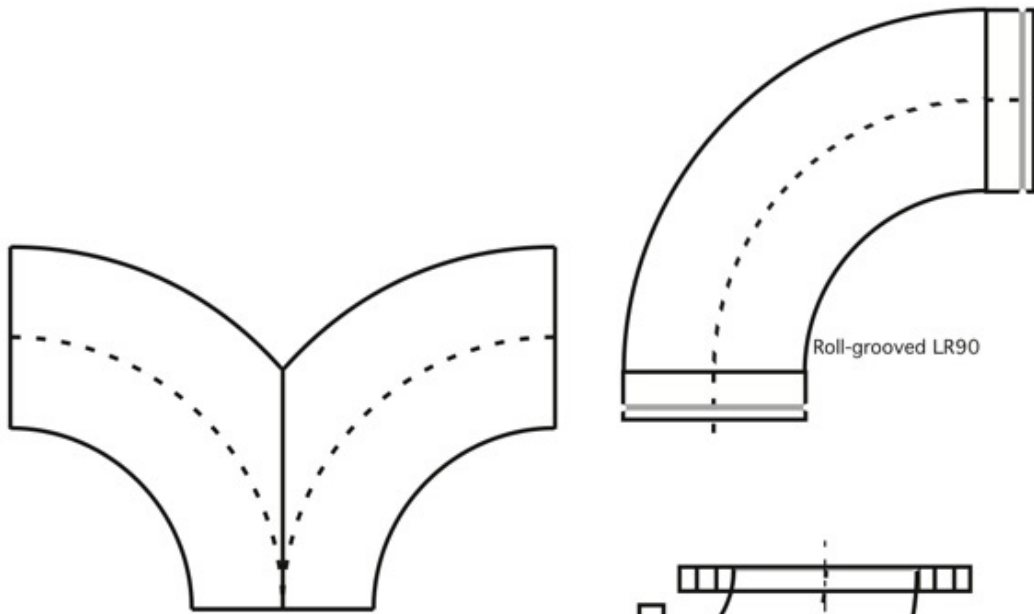
11-1/4° Elbow



SR 27° elbow

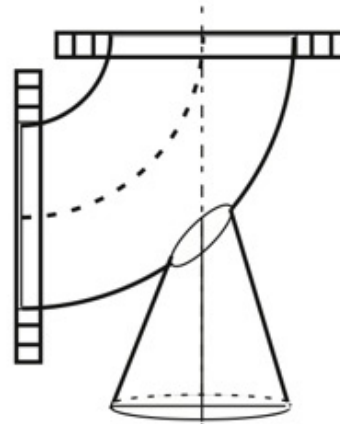


Reducing 90° Elbow

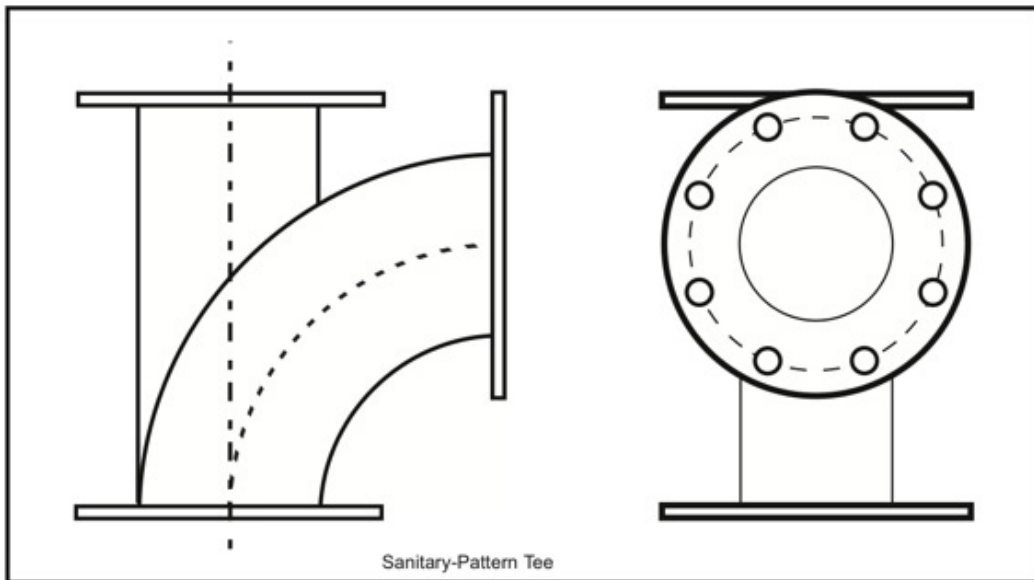


Double LR90

Roll-grooved LR90



Flanged Pedestal Elbow



Sanitary-Pattern Tee

- Manufactured to the specs and tolerances of ASTM A774 or A403 [CR/WPW/WPWX/WPS].
- Custom dimensions available upon request.
- Available in 304L, 316L, 317L or other materials upon request.
- Available in odd degrees, atypical radii, unusual center-to-end dimensions.
- Available ends include butt weld, beveled, grooved, flanged, or Van Stone.