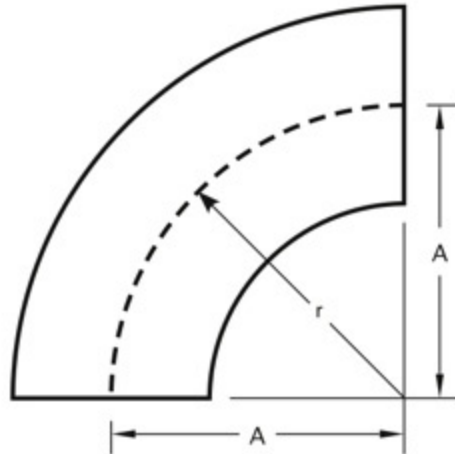
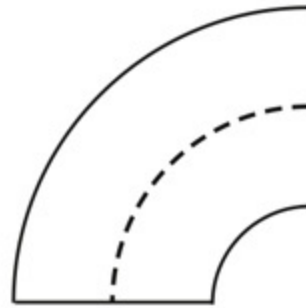


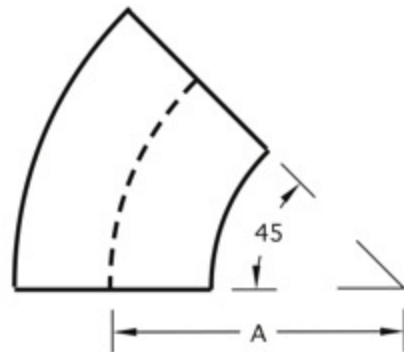
# Smoothflow Elbows



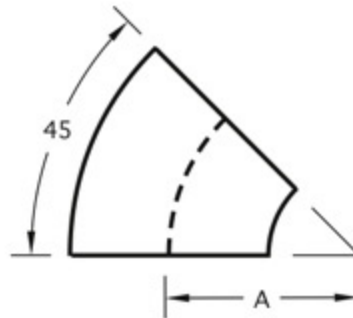
Long Radius (LR) 90



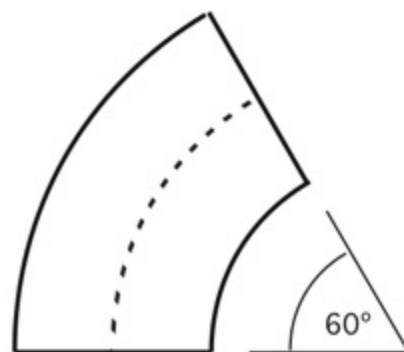
Short Radius (SR) 90



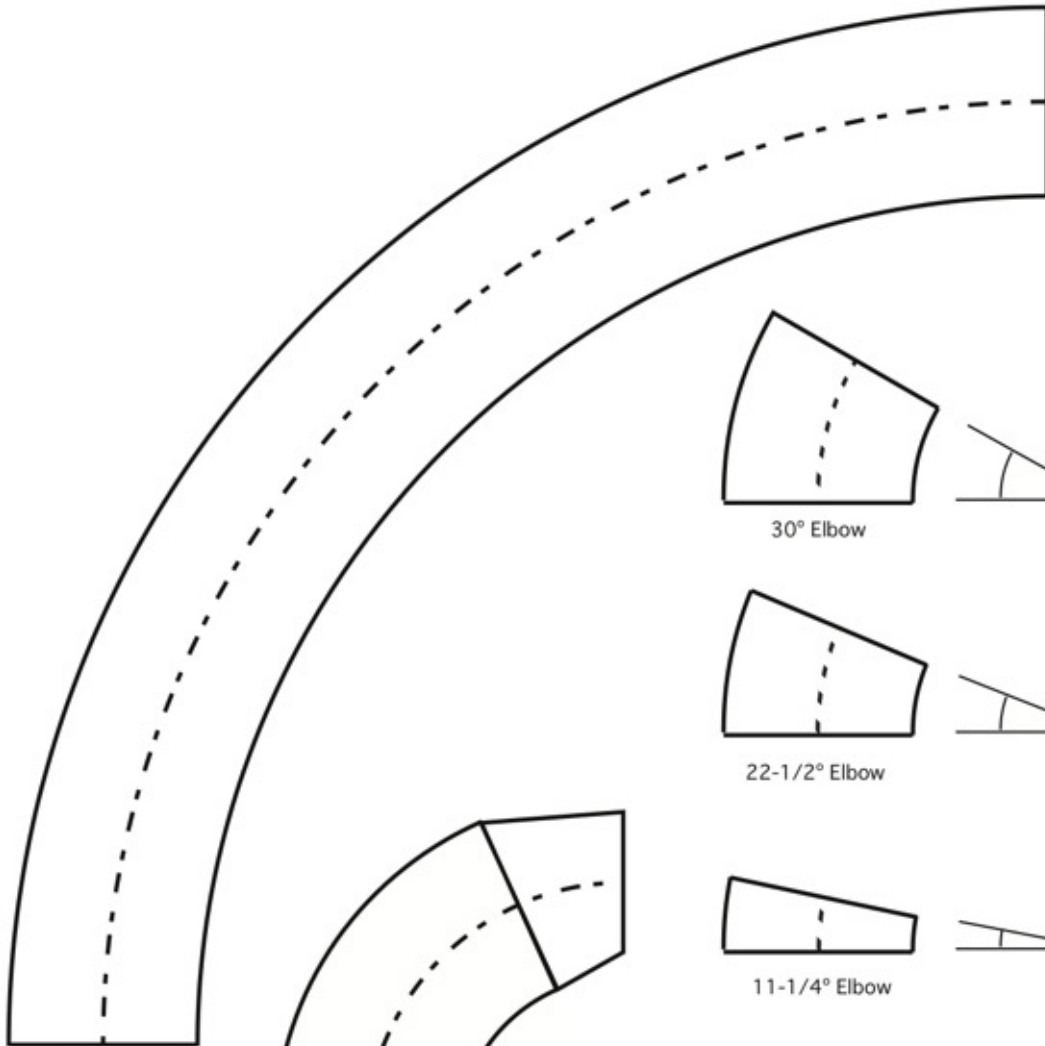
Long Radius (LR) 45



Short Radius (SR) 45

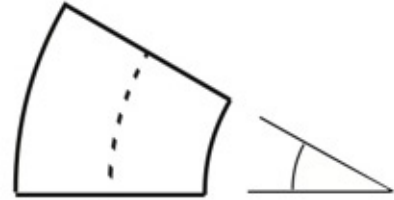


Long Radius 60°



5D Sweep 90

Cutback Transition style Reducing 90



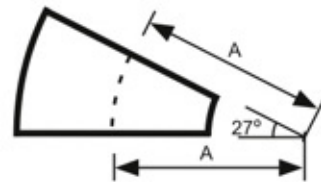
30° Elbow



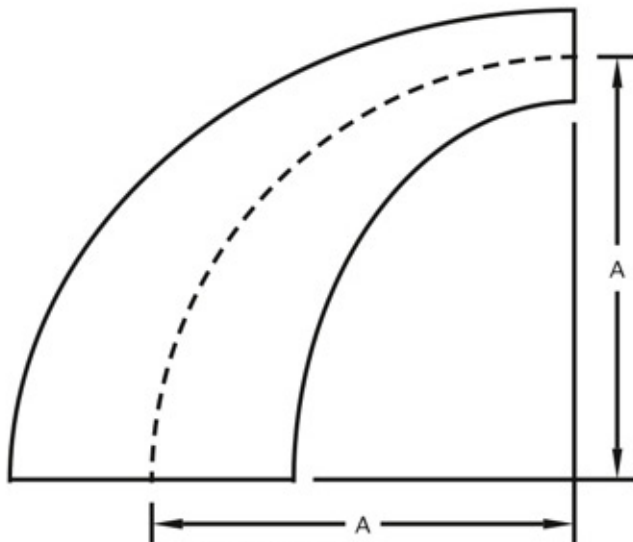
22-1/2° Elbow



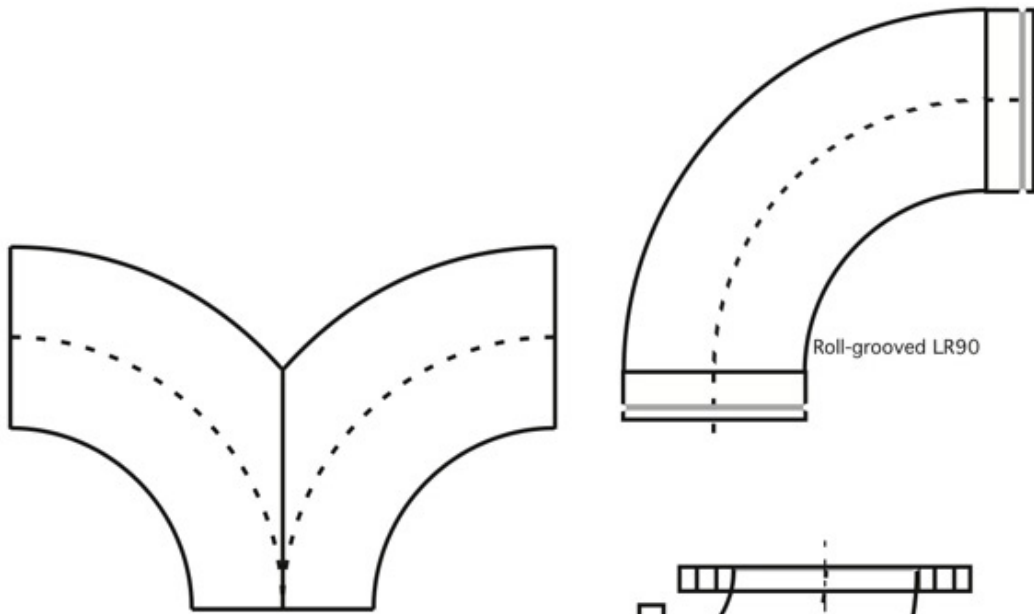
11-1/4° Elbow



SR 27° elbow

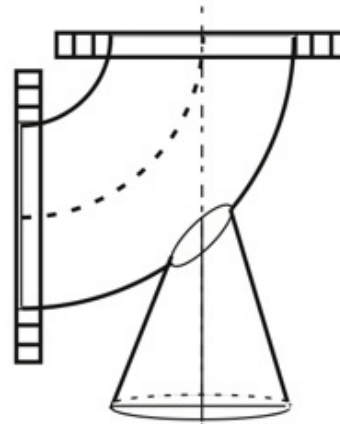


Reducing 90° Elbow

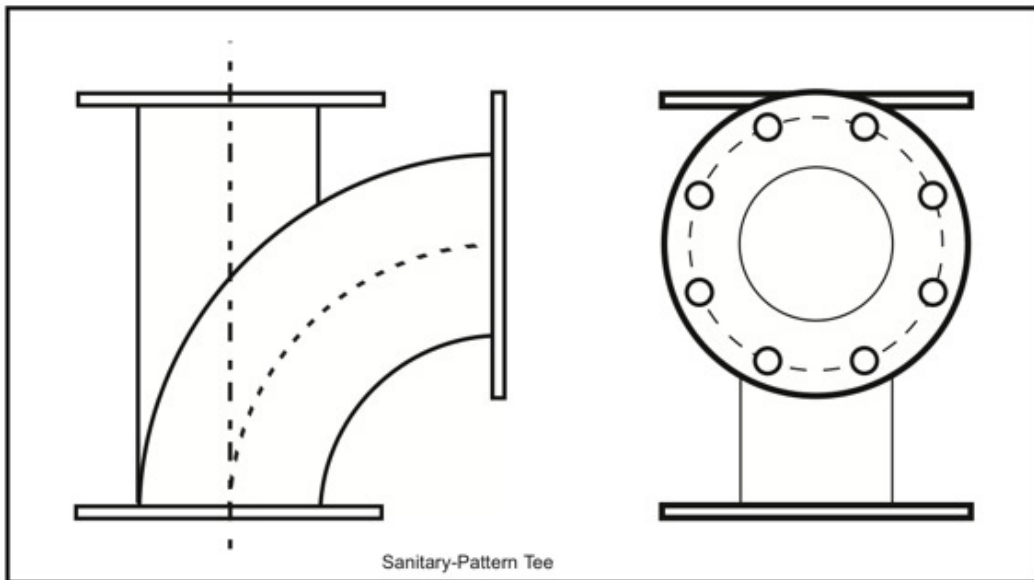


Double LR90

Roll-grooved LR90



Flanged Pedestal Elbow



Sanitary-Pattern Tee

- Manufactured to the specs and tolerances of ASTM A774 or A403 [CR/WPW/WPWX/WPS].
- Custom dimensions available upon request.
- Available in 304L, 316L, 317L or other materials upon request.
- Available in odd degrees, atypical radii, unusual center-to-end dimensions.
- Available ends include butt weld, beveled, grooved, flanged, or Van Stone.