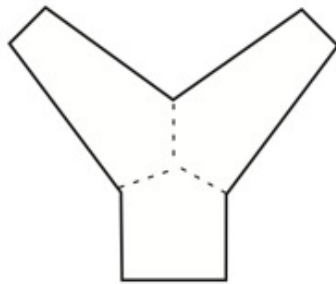
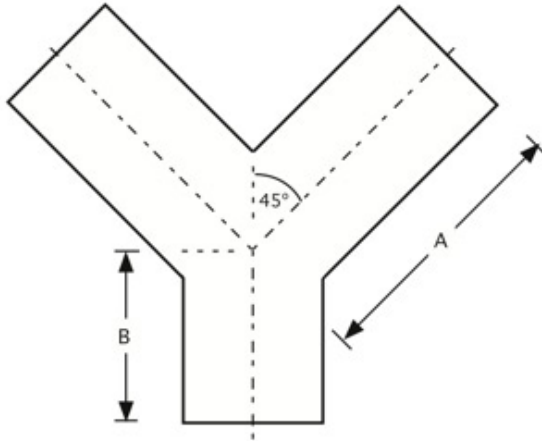


AST

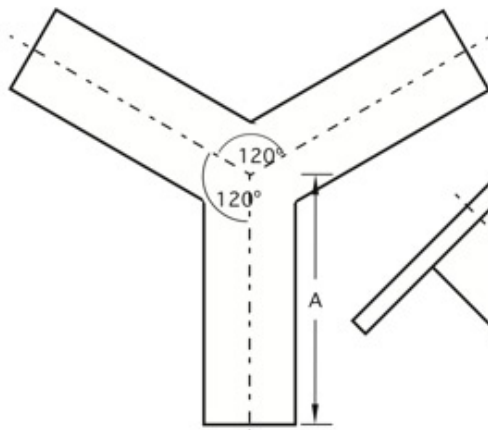


True Wye

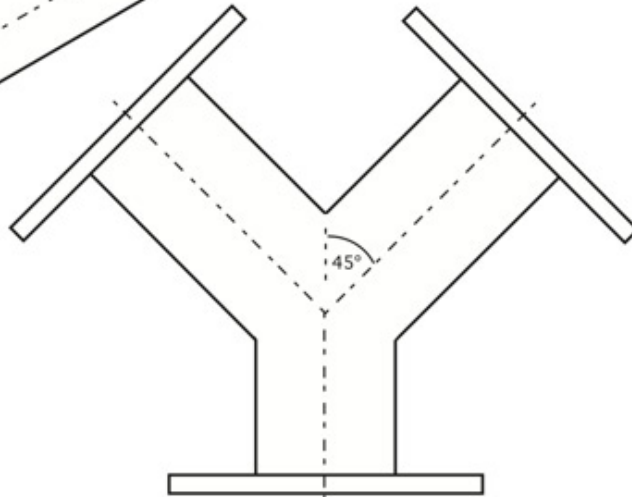


Reducing True Wye

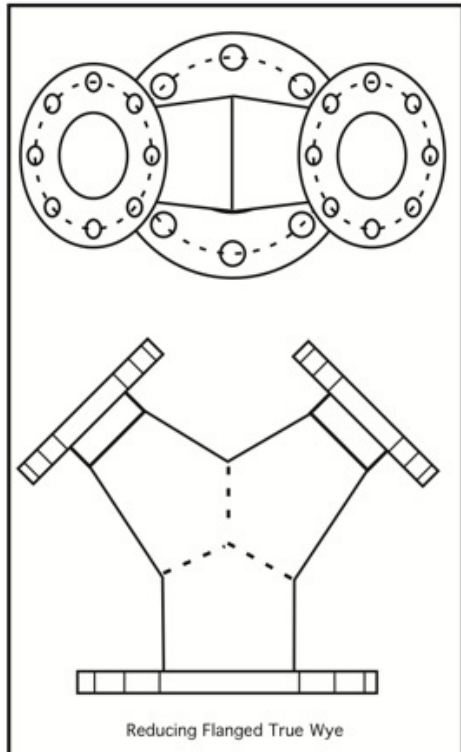
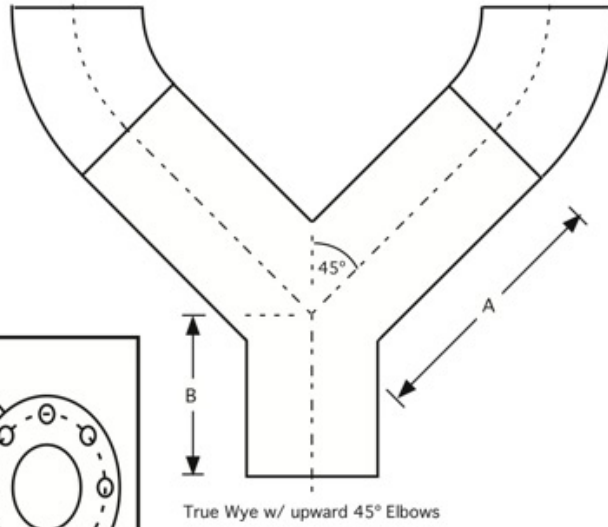
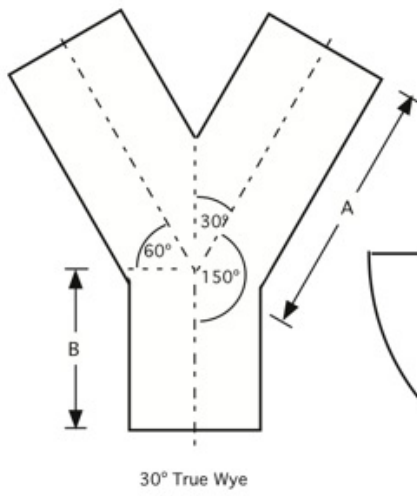
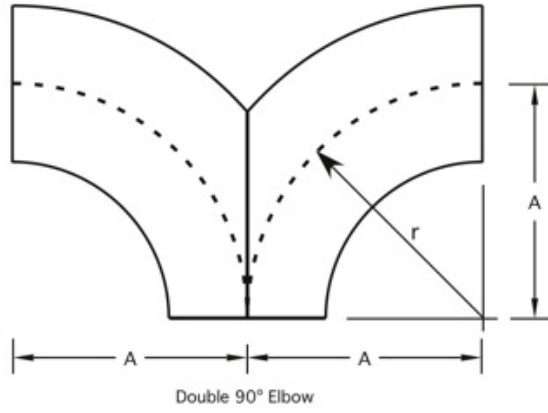
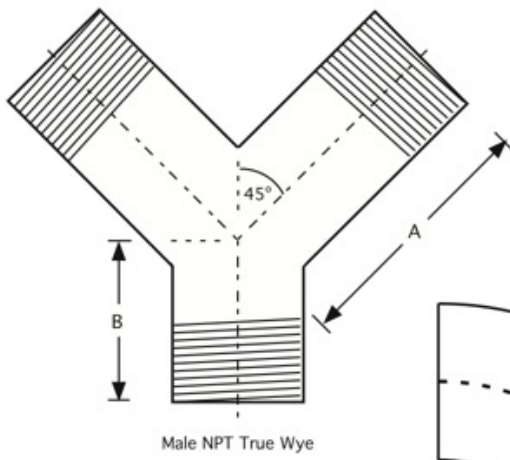
SIZE (IPS / OD)	DIMENSIONS	
	A	B
1	3 1/2	1 3/4
1 1/4	3 3/4	1 3/4
1 1/2	4	2
2	4 1/2	2 1/2
2 1/2	5	2 1/2
3	5 1/2	3
4	6 1/2	3
5	7 1/2	3 1/2
6	8	3 1/2
8	9	4 1/2
10	11	5
12	12	5 1/2
14	14	6
16	15	6 1/2
18	16 1/2	7
20	18	8
24	22	9
30	25	10
36	28	11

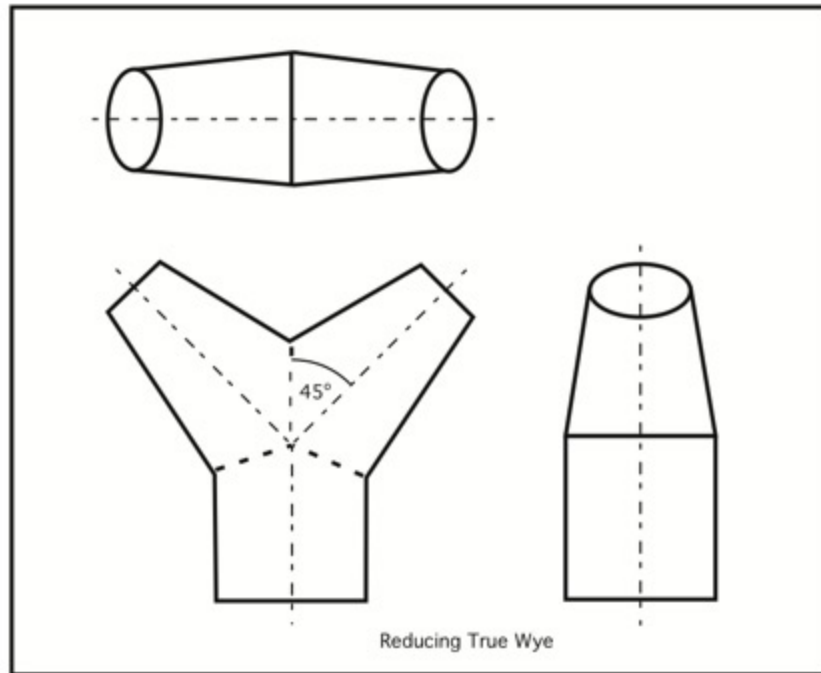


Equilateral True Wye



Flanged True Wye





- Manufactured to the specs and tolerances of ASTM A774.
- Custom dimensions available upon request.
- Available in 304L, 316L, 317L, carbon steel or other materials upon request.
- Available ends include butt weld, beveled, grooved, flanged, or Van Stone.